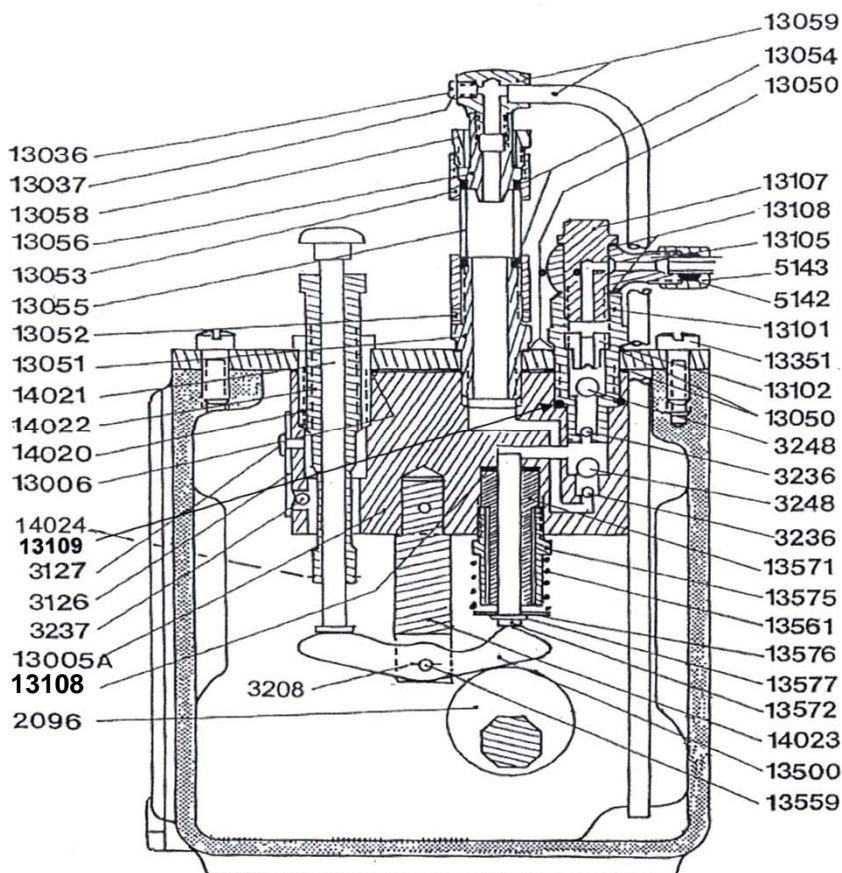


QUERVEL RAUZY MECHANICAL LUBRICATOR PUMP TYPE PR HP

Sectional drawing and Part list



| | | | | | |
|-------|---|----------------------------------|-------|---|---|
| 3126 | 1 | Plate spring for adjustment | 13102 | 1 | Non return valve outlet plug |
| 3127 | 1 | Plate spring holding bolt | 13105 | 1 | Outlet connection |
| 3208 | 1 | pin | 13107 | 1 | Outlet connection holding bolt |
| 3236 | 2 | Ball D=4mm | 13108 | 2 | Outlet connection and cylinder gasket |
| 3237 | 1 | Ball D= 5 mm | 13109 | 1 | Non return valve O-ring |
| 3248 | 2 | Ball D=7mm | 13351 | 4 | Holding bolt |
| 5142 | 1 | Piping ring D=6 mm | 13500 | 1 | Rocking arm |
| 5143 | 1 | Piping ring nut D=6 mm | 13559 | 1 | Rocking arm pin |
| 13005 | 1 | Pump main body | 13560 | 1 | Pump support plate |
| 13006 | 1 | Pompe gasket | 13561 | 1 | Pump spring |
| 13036 | 1 | Oil vent screw | 13571 | 1 | Cylinder (supplied grinded with piston 13572) |
| 13037 | 1 | Oil vent screw gasket | 13572 | 1 | Plunger (supplied with cylinder 13571) |
| 13050 | 4 | Support/pump gasket | 13108 | 1 | PRHP cylinder gasket |
| 13051 | 1 | Drop indicator base | 13575 | 1 | Cylinder holding nut |
| 13052 | 1 | Drop indicator body nut (bottom) | 13576 | 1 | Spring stop washer |
| 13053 | 1 | Drop indicator body | 13577 | 1 | Snap ring |
| 13054 | 2 | Drop indicator glass gasket | 14020 | 1 | Setting nut |
| 13055 | 1 | Drop indicator glass | 14021 | 1 | Push rod |
| 13056 | 1 | Drop indicator inlet nozzle | 14022 | 1 | Adjusting liner |
| 13058 | 1 | Drop indicator body nut (top) | 14023 | 1 | Rocking arm support |
| 13059 | 1 | tubing and inlet nozzle | 14024 | 1 | Snap ring |
| 13101 | 1 | Non return valve body | 14028 | 1 | Rod 14021 + liner 14022 |
| | | | 13590 | | PRHP Pump |

10/10/03

16/1/06 1

QUERVEL RAUZY S.a.r.l

167 Rue des Renouillers, 92700 COLOMBES France

Tel: (33-1) 41 19 74 60 Fax: (33-1) 41 19 74 61

Site: www.quervel-rauzy.com